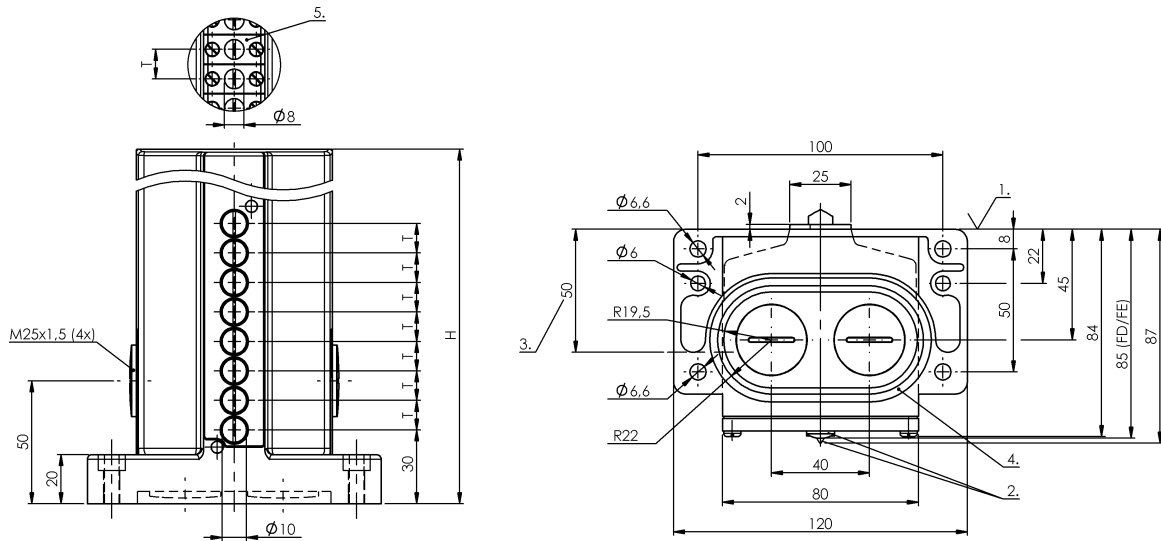


Mechanical Cam Switches
BNS 819-D06-D16-100-10-FD
 Order Code: BNS00KY

BALLUFF



1) Reference edge, 2) Function indicator FD/FE/LL, 3) Cable passage, 4) Sealing ring, 5) Anti-crystallization plunger



Basic features

Approval/Conformity	CE WEEE
Basic standard	IEC 60947-5-1
DIN switch	DIN 43697
Operating principle	1-6. Switch position: Mechanical
Version	Snap contact

Display/Operation

Function indicator	1-6. Switch position: FD - 6...60 V
--------------------	-------------------------------------

Electrical connection

Connection type	1-6. Switch position: Screw terminal
-----------------	--------------------------------------

Electrical data

Continuous current	1-6. Switch position: 6 A
Rated operating voltage Ue	1-6. Switch position: 250 V AC
Switching function mechanical	galvanically isolated One NO and one NC Dual changeover
Switching rate	1-6. Switch position: 300/min

Environmental conditions

Ambient temperature	-5...85 °C
IP rating	IP67

Functional safety

B10d (EN ISO 13849-1)	BSE 30.0: 30 mil. switching cycles
-----------------------	------------------------------------

Material

Housing material	Aluminium, Anodized
Housing material, surface protection	Anodized
Material contacts	1-6. Switch position: Silver, gold plated
Plunger material	1-6. Switch position: 1.4034 stainless steel

Mechanical data

Approach direction	longitudinal, parallel to attachment surface
Approach speed	1-6. Switch position: 40 m/min
Dimension	120 x 140 x 85 mm
Distance cam - reference edge	1-6. Switch position: 4.50...5.00 mm
Flange, feed-through	2 threaded exit M25
Installation	Vertical
Life expectancy mechanical	1-6. Switch position: 30 mil. switching operations
Number of switching positions	6x Chisel Mechanical
Plunger spacing 1st switch position	30 mm
Plunger style	1-6th switch position: Chisel 1-6th switch position: Chisel
Switch actuation force	1-6. Switch position: 20 N
Switching element	1-6. Switch position: BSE 30.0

Range/Distance

Reproducibility

1-6. Switch position: ± 0.002 mm

Switch position spacing

16 mm

Wiring Diagrams

BSE 30.0

